

# TOA IP CEILING MOUNT SPEAKER 8W IP-A1PC580R

## DESCRIPTION

The IP-A1PC580R is a PoE-powered Ceiling Speaker with a built-in 8 W amplifier and internal data storage for up to 20 audio files. It supports SIP protocol for flexible integrations with VoIP devices, and its 20 multicast ports are available for group paging operations. It can also receive broadcasts from Video Management System via ONVIF audio backchannel. Device control and further system integration is accessed through remote API (HTTP) or local control inputs.

## SPECIFICATIONS

Power Source	PoE (IEEE802.3af Class 3)
Power Consumption	12.95 W (rated output) 5 W (IEC62368-1)
Amplifier Rated Output	8 W
Sensitivity	97 dB (1 W, 1 m)
Maximum Sound Pressure Level	106 dB (8 W, 1 m)
Frequency Response	50 Hz – 16.5 kHz
Speaker Component	20 cm (8") Dual cone-type
Audio Codec	PCMU (G.711u), PCMA (G.711a), G.722
Broadcasting Mode	SIP Broadcasting/SIP calling Mode: PCMU/PCMA/G.722, P2P/SIP Server Connection Multicast Broadcasting Mode: PCMU/PCMA/G.722 Auto codec recognition, 20 ports VMS Broadcasting Mode: ONVIF Audio Backchannel, PCMU Internal Message Broadcasting Mode Note: Each broadcast mode can be assigned an order of priority using the Priority Setting function.
Internal Messages	Max. 20 messages (Max. recording capacity: 80 MB) Supported file format: WAV file: 8/16/44.1/48 kHz sampling frequency, 8/16 bit, monoaural/stereo MP3 file: 32/44.1/48 kHz sampling frequency, 64 – 320 kbps, CBR/VBR, monoaural/stereo Repeat playback: Playcount (1 – 10 times), Duration (5 – 3600 sec) or Timer (from Start time to End time) Interval time: 0 – 60 sec, Delay time: 0 – 30 sec Trigger: Control Input or Remote API (HTTP)
Network I/F	100BASE-TX, Auto MDI/MDI-X, RJ45 connector
Network Protocol	TCP/IP, UDP, HTTP, RTP, RTSP, RTCP, ARP, ICMP, IGMPv3, NTP, SIP (RFC3261)
Audio Input	1 channel, electronically-balanced, 10 kΩ LINE/MIC selectable (Rated input: LINE: 0 dB (*1), MIC: -60 dB (*1)) PAD function (-20 dB (*1)), Phantom power ON/OFF (12 V DC), volume adjustable removable terminal block (6 pins)
Audio Output	1 channel, electronically-balanced, 600 Ω or less Rated output: 0 dB (*1), removable terminal block (6 pins)
Control Input	2 channels, no-voltage make contact inputs, open voltage: 5 V DC, short-circuit current: 2 mA or less, removable terminal block (6 pins)
Control Output	1 channel, open collector output, withstand voltage: 30 V DC, control current: 10 mA or less, removable terminal block (6 pins)
Indicator	STATUS (green/blue/orange/red), LINE/MIC IN (green/red), OUTPUT (green), LINK/ACT (green)
Clock Accuracy	±13 seconds per month
Time Adjustment	Manual time setting, Time adjustment by NTP server
Power Outage Protection Period	24 hours (RTC time retention, at 40 °C (104 °F))
Operating Temperature	0 °C to +50 °C (32 °F to 122 °F)
Operating Humidity	90 %RH or less (no condensation)
Dimensions for Fixing Hole	Mounting hole: ø228.6 mm (9")
Speaker Mounting Method	Screw in type
Finish	Frame: Steel plate, white (RAL 9016 equivalent), paint Grill: Steel net, white (RAL 9016 equivalent), paint
Dimensions	ø324 × 111 (D) mm (12.76" × 4.37")
Weight	1.8 kg (3.97 lb.)
Accessory	Pattern paper --1, Removable terminal plug (6 pins, preinstalled on the unit) --2, Mounting screw (5 × 38) --4
Option	Back Can (for UL 2043 certified installation): HY-BC580U

(\*1) 0 dB = 1 V

Note: Please do not install the product near heat insulation material, or cover the product with heat insulation or acoustic absorbing materials to prevent fire risk. Please do not install the product in damp or wet locations or areas with high humidity (condensing) as it may cause damage to the product.

※ ONVIF is a registered trademark of ONVIF Inc.

※ These specifications only apply to the firmware version 2.1.0. For the latest specifications and firmware, please refer to the TOA DATA Library (<https://www.toa-products.com/international/>).



# IP CEILING MOUNT SPEAKER 8W

IP-A1PC580R

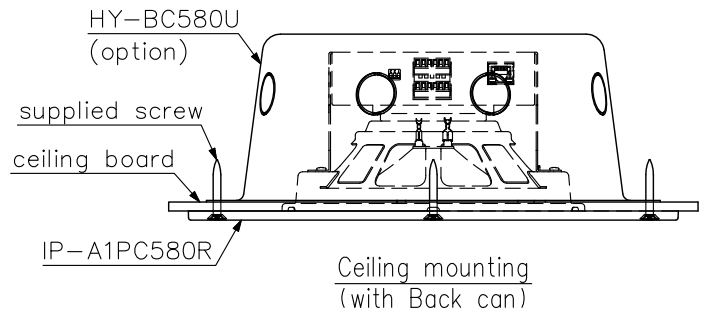
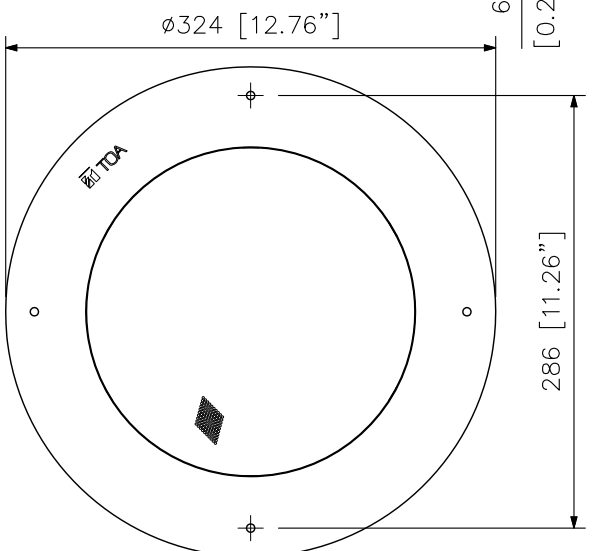
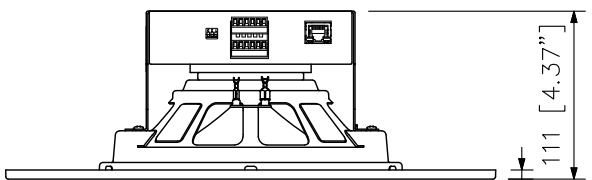
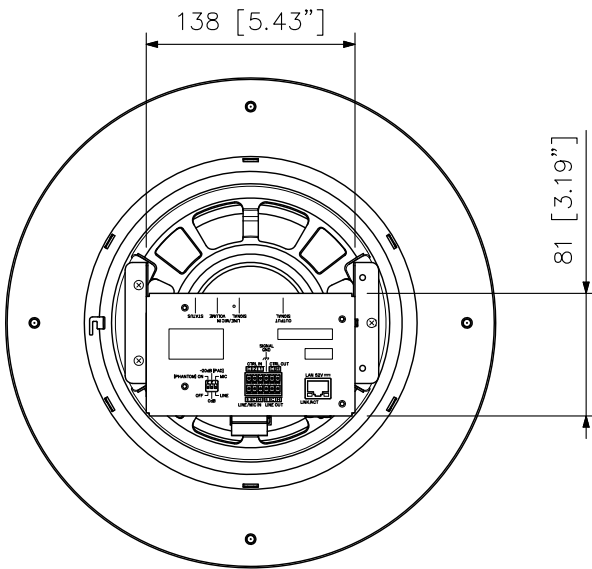
## SPECIFICATIONS

### Personal Computer Requirements

Display	1366 X 768 resolution or higher
OS	Windows 10 Pro (64-bit edition) Windows 10 Home (64-bit edition) Windows 11 Pro Windows 11 Home
Required Web Browser	Google Chrome Microsoft Edge

- ※ Windows and Microsoft Edge are registered trademarks of Microsoft Corporation in the United States and other countries.
- ※ Google Chrome is the trademark of Google LLC in the United States and other countries.
- ※ Other company names and products are also trademarks of individual companies.

## APPEARANCE



UNIT:mm SCALE:1/5

Note: Numerical values in parentheses are for reference only.